



V-1401 MIXER

HOBART

STANDARD FEATURES

- 5 H.P. Hobart Designed Fixed Speed Motor
- Gear-Driven Transmission
- 15 Minute Timer
- Four Fixed Speeds
- Open Base
- Large, Easy-To-Reach Controls
- Power Bowl Lift
- Stainless Steel Bowl Guard
- 140-Quart Stainless Steel Bowl, "B" Flat Beater, "ED" Dough Hook, Bowl Truck

MODELS

- V-1401 - 140-Quart All Purpose Mixer
- V-1401C - 140-Quart All Purpose Mixer with Maximum Security Correctional Package (200/60/3 and 460/60/3 only)

OPTIONS

- Tall Column (17" taller than standard)
- Electronic Timer (200/60/3 and 230/60/3 only)
- #12 Taper Attachment Hub

Specifications, Details and Dimensions on Inside and Back.

ACCESSORIES

- Stainless Steel Bowl
- "B" Flat Beater
- Stainless Steel "B" Beater
- "C" Wing Whip
- "D" Wire Whip
- "ED" Dough Hook
- "P" Pastry Knife
- "I" Heavy Duty Wire Whip
- Bowl Splash Cover
- Bowl Scraper
- Bowl Adapter
- Bowl Truck
- 80, 60, 40 & 30 Quart Accessories
- Ingredient Chute
- 9" Vegetable Slicer
- Meat Chopper Attachment


V-1401 MIXER

V-1401 MIXER



SOLUTIONS/BENEFITS

5 H.P. Hobart Designed Motor

Durability

- Heavy-duty to meet the most demanding operations

15-Minute Electric Timer

Convenience, Ease of Use, Consistency

- Supports recipe mixing times
- Simplifies operation
- Provides accurate results and eliminates overmixing

Four Fixed Speeds

Flexibility, Reliability, Consistency

- For incorporating, blending, mixing ingredients
- Supports consistent results and thorough mixing

Bowl Guard

Protection

- Safety interlock prevents operation when front portion of guard is out of position

Gear-Driven Transmission

Durability, Reliability

- Ensures consistent performance and minimum downtime with positive drive under heavy loads

Hobart Attachments

Durability, Flexibility

- Hobart manufactured accessories are designed for long-term usage under heavy-duty conditions
- Large array of attachments provide multiple uses for recipe and product processing

V-1401 MIXER CAPACITY CHART

Recommended Maximum Capacities - dough capacities based on 70°F. water and 12% flour moisture.

PRODUCT	AGITATORS SUITABLE FOR OPERATION	V-1401
CAPACITY OF BOWL (QTS. LIQUID)		140
Egg Whites	D	4 qts.
Mashed Potatoes	B & C	100 lbs.
Mayonnaise (Qts. of Oil)	B or C or D	50 qts.
Meringue (Qts. of Water)	D	5 qts.
Waffle or Hot Cake Batter	B	—
Whipped Cream	D or C	30 qts.
Cake, Angel Food (8-10 oz. cake)	C or I	120
Cake, Box or Slab	B or C	185 lbs.
Cake, Cup	B or C	165 lbs.
Cake, Layer	B or C	165 lbs.
Cake, Pound	B	185 lbs.
Cake, Short (Sponge)	C or I	150 lbs.
Cake, Sponge	C or I	140 lbs.
Cookies, Sugar	B	100 lbs.
Dough, Bread or Roll (Lt.-Med.) 60% AR	§ ED	210 lbs.*
Dough, Heavy Bread 55% AR	§ ED	175 lbs.*
Dough Pie	B & P	125 lbs.
Dough, Thin Pizza 40% AR (max. mix time 5 min.)	§‡ ED	135 lbs.□
Dough, Med. Pizza 50% AR	§‡ ED	190 lbs.□
Dough, Thick Pizza 60% AR	§‡ ED	190 lbs.*
Dough, Raised Donut 65% AR	ED	100 lbs.†
Dough, Whole Wheat 70% AR	ED	185 lbs.
Eggs & Sugar for Sponge Cake	B & C or I	75 lbs.
Icing, Fondant	B	100 lbs.
Icing, Marshmallow	C or I	20 lbs.
Shortening & Sugar, Creamed	B	120 lbs.
Pasta, Basic Egg Noodle (max. mix time 5 min.)	ED	100 lbs.*

NOTE: % AR (% Absorption Ratio) - Water weight divided by flour weight. Capacity depends on moisture content of dough. Above capacities based on 12% flour moisture at 70°F water temperature.

§ If high gluten flour is used, reduce above dough batch size by 10%.

□ 1st Speed

* 2nd Speed

† 3rd Speed

‡ The V-1401 requires a 50% reduction in batch size to mix in Speed 2 with 50% or less AR doughs.

USE OF ICE REQUIRES A 10% REDUCTION IN BATCH SIZE.

1 gallon of water weighs 8.33 lbs.

NOTE: Attachment hub should not be used while mixing.

* This application may require an extended column.

SPECIFICATIONS

MOTOR:

5 H.P., Hobart designed, high torque ball bearing, ventilated within mixer enclosure. Thermal overload protection. Three-phase is squirrel cage, induction-run type.

Three Phase	200V	14.4 Amps
	230V	13.6 Amps
	460V	6.8 Amps

ELECTRICAL:

200/60/3, 230/60/3, and 460/60/3 - U L Listed. Also available in 220/50/3, 380/50/3 and 400/50/3 - not submitted for U L Listing.

CONTROLS:

Switches are magnetic rocker type with no moving seals. Motor protection system with automatic resetting bimetallic thermal overload is provided with a magnetic contactor to control the motor. A 15-minute electric timer is standard. Electronic timer is available at extra cost (200/60/3 and 230/60/3 only).

TRANSMISSION:

Positive main drive through exclusive, heavy-duty, full efficiency FLEXA-GEAR of neoprene nylon and steel construction. Transmission gears are hardened alloy steel running in oil. Constant mesh helical gears establishes a new level of quietness in operation. All shafts are ball bearing mounted.

SPEEDS:

Four positive speeds -

	Agitator (RPM)	Attachment (RPM) (Optional Equip.)
1. First	46	85
2. Second	80	149
3. Third	150	279
4. Fourth	265	495

BOWL GUARD:

Heavy-duty stainless steel wire front and solid stainless steel rear portion. Front portion of guard rotates easily to add ingredients and install or remove agitator. It detaches in seconds for cleaning in dishwasher or sink. Rear portion of guard can be quickly cleaned in position. Guard must be in closed position before mixer will operate. The bowl support lock prevents the bowl from being lowered while mixer is running. Bowl support interlock provides further protection.

POWER BOWL LIFT:

Driven by the main mixer motor, it mechanically raises and lowers the bowl. Bowl lift is controlled through a convenient lever, mechanically raising and lowering the bowl to any position.

FINISH:

Standard Metallic Gray finish, Polyurethane Enamel.

STANDARD EQUIPMENT:

Consists of the mixer unit with one (1) 140-quart stainless steel bowl, one (1) "B" flat beater, one (1) "ED" dough hook, bowl truck, and stainless steel bowl guard.

ATTACHMENT HUB (OPTION):

When specified, comes with front-mounted Hobart standard #12 taper attachment hub for use with #12 size attachments.

NOTE: Use of attachment hub during mixing operation may result in a negative impact on performance and longevity of mixer.

ATTACHMENTS AND ACCESSORIES:

The following are available at extra cost:

Stainless Steel Bowl	Bowl Scraper
"B" Flat Beater	Bowl Adapter
Stainless Steel "B" Beater	Bowl Truck
"C" Wing Whip	80, 60, 40 & 30 Quart Accessories
"D" Wire Whip	Ingredient Chute
"ED" Dough Hook	9" Vegetable Slicer
"P" Pastry Knife	Meat Chopper Attachment
"I" Heavy Duty Wire Whip	
Bowl Splash Cover	



Hobart Bowl Scraper



Hobart Ingredient Chute

LISTED BY: Underwriters Laboratories, Inc. and NSF International. Certified by the Baking Industry Sanitation Standard Committee.

V-1401 MIXER



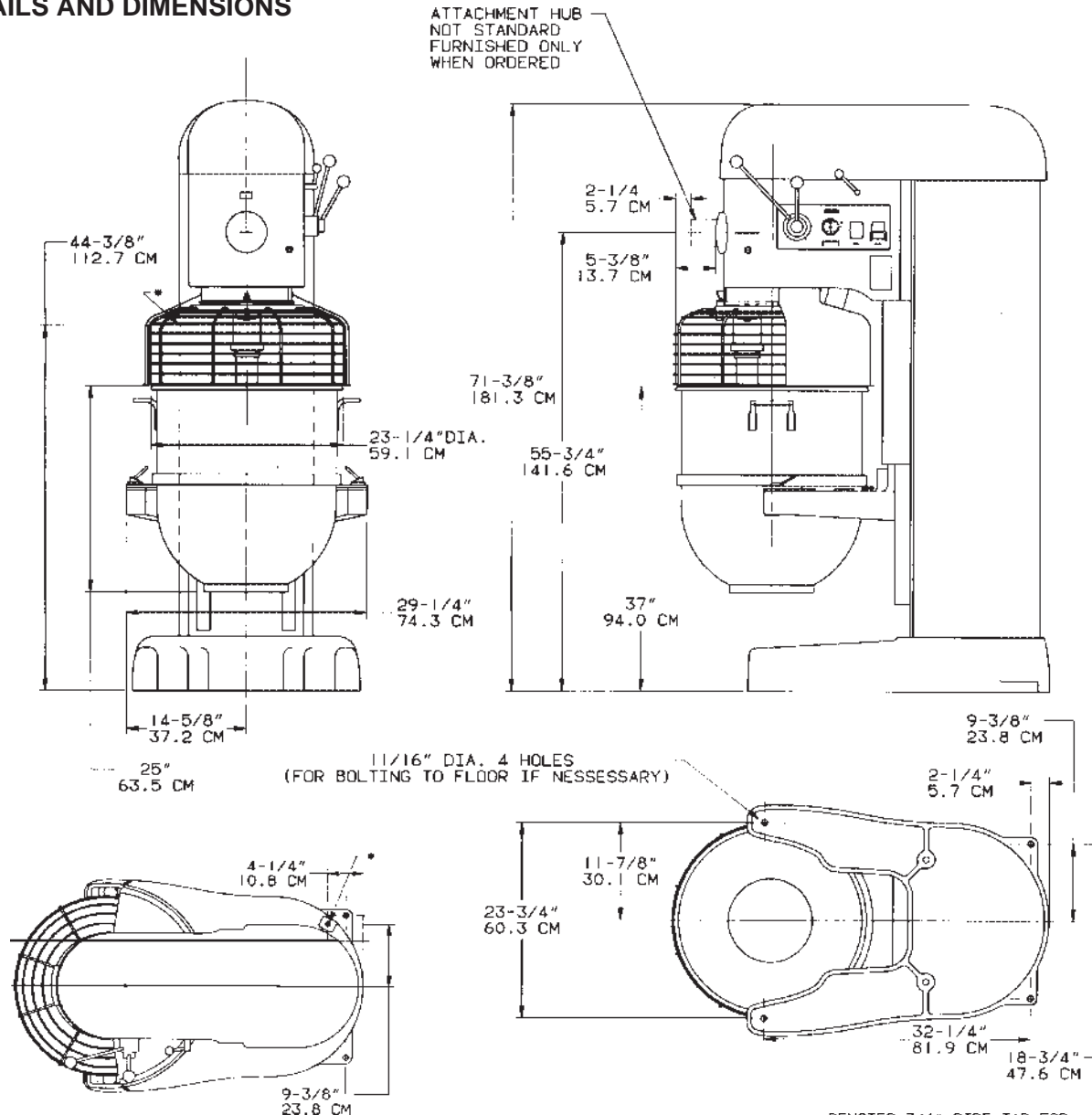
SPECIFICATIONS

ELECTRICAL SPECIFICATIONS: 200/60/3, 230/60/3, and 460/60/3 - UL Listed. Also available in 220/50/3, 380/50/3 and 400/50/3 - not submitted for UL Listing.

WEIGHT: 1570 lbs. net.

WARRANTY: Unit has full one-year warranty on parts, labor and mileage against manufacturer's defects. Service contracts are available.

DETAILS AND DIMENSIONS



NOTE:
BOLTING TO FLOOR
 UNNECESSARY
 EXCEPT ON SHIPBOARD

• DENOTES 3/4" PIPE TAP FOR ELECTRICAL CONNECTION

WARNING
 ELECTRICAL AND GROUNDING CONNECTIONS MUST COMPLY WITH THE APPLICABLE PORTIONS OF THE NATIONAL ELECTRICAL CODE AND/OR OTHER LOCAL ELECTRICAL CODES.

As continued product improvement is a policy of Hobart, specifications are subject to change without notice.

701 S Ridge Avenue, Troy, OH 45374 • 937-332-3000 • 1-800-333-7447