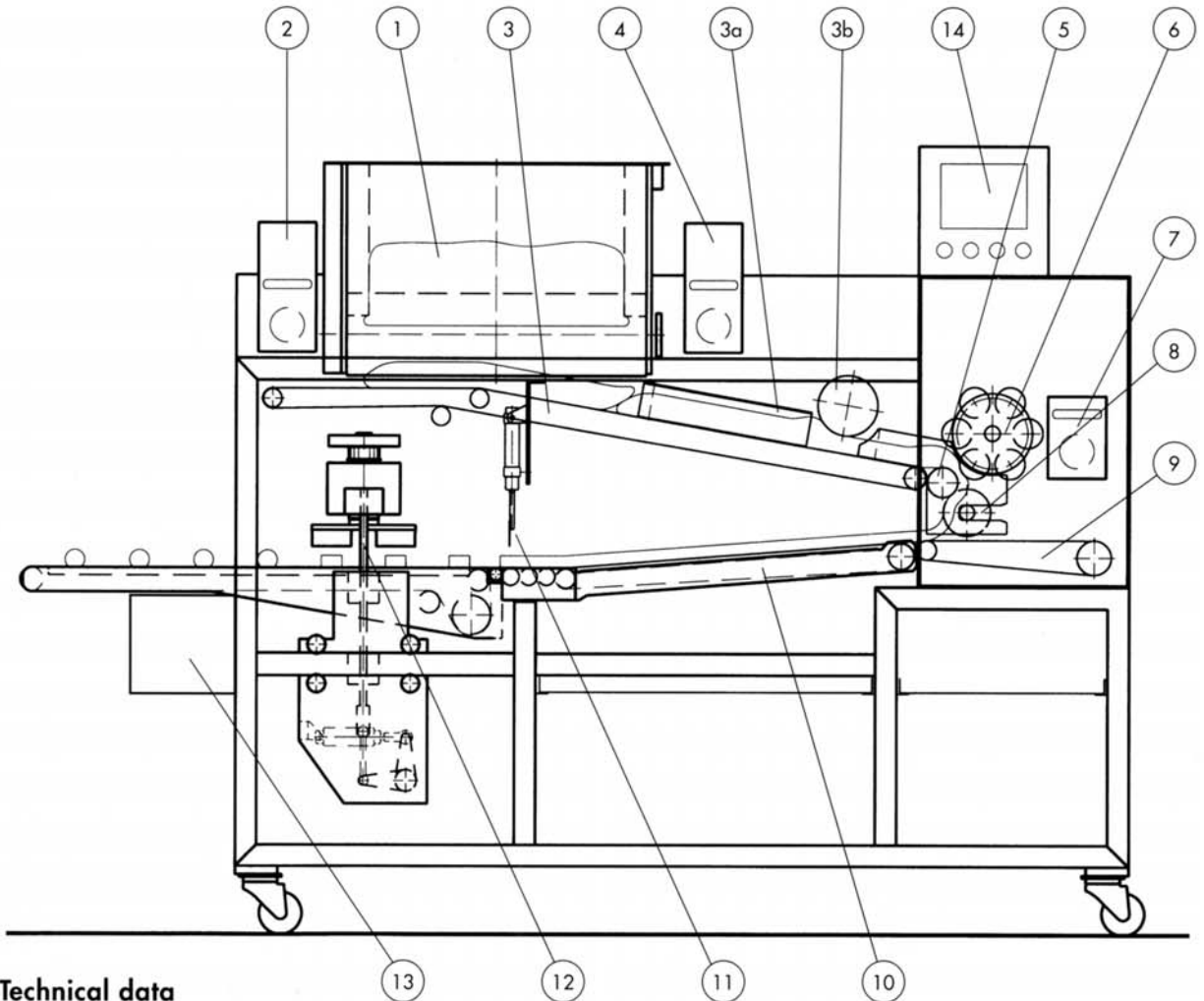


## ARTISAN SFR

The economic compact plant for a wide variety of angular  
and rounded bread rolls



## ARTISAN SFR



### Technical data

Length: 2300 mm  
 Width: 1000 mm  
 Height: 1750 mm

Feeding height, feeding belt: 1350 mm  
 Feeding height, feeding hopper: 1750 mm

Discharge height: 820 mm

Electric supply: 3 x 400 V / 50 Hz, approx. 2 kW  
 Compressed air: approx. 100 litres / min. at approx. 6 bar  
 Speed for rounded dough pieces, - 5-across: approx. 20 strokes/min  
 Rectangular bread rolls: up to 20 strokes/min. depending on size  
 Dough string thickness: up to approx. 30 mm  
 Total width of dough string: 240 mm, without excess dough edges  
 Control: Siemens S 7 with Touch Panel

1. Feeding hopper (option)
2. Duster for feeding belt
3. Feeding belt
- 3a. Edge forming unit
- 3b. Pressing down roller
4. Dough string duster
5. Bottom roller
6. Satellite
7. Duster for discharge belt (option)
8. Cutting unit for longitudinal cut
9. Discharge belt
10. Spreading belt
11. Guillotine
12. Rounding unit
13. Greasing unit for "Rosenbrotchen" (option)
14. Control panel

Connection to prover plants, forming stations, seeders, retracting units with a working width of 600 mm possible.

Optionally also available with scale.

Measurements in mm not binding  
 Technical changes reserved

**KOENIG**  
 TECHNOLOGY

**KÖNIG-Maschinen Gesellschaft m.b.H**  
 A-8045 Graz-Andritz, Stattegger Straße 80  
 Tel.: ++43/316/6901-0, Fax: ++43/316/6901-115  
 e-mail: info@koenig.co.at, www.koenig.co.at