

Stress-free production... **ARTISAN SFC**
The compact economical machine for a wide variety of angular breads / bread rolls



With guillotine / stamping device for
any elaborate bread / bread rolls

ARTISAN SFC stands for...

- optimal price-performance ratio
- one-man operation
- rows are adjusted quickly by simply replacing the rotating cutter shaft
- doughs up to TA 180
- hourly capacity of 1.500 to 7.200 pieces at max. dough throughput of 390 kg/h
- dough string speed of max. 1.500 mm/min.
- dough string width up to 170 mm
- dough string thickness from 6 to 30 mm
- great product variety due to various exchangeable stamping tools
- option: reversible stamping device with stamping tools on both sides
- executed in stainless steel - long working life and value
- calibration roller of polished hard chromium
- a water bath seeder can be added on request

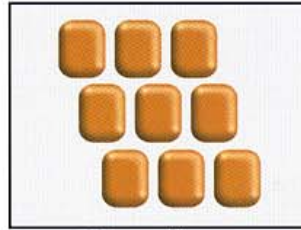
...perfect cutting with guillotine



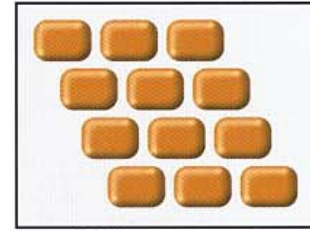
up to 1.500 pcs./h



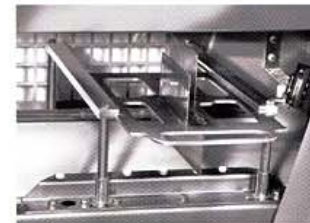
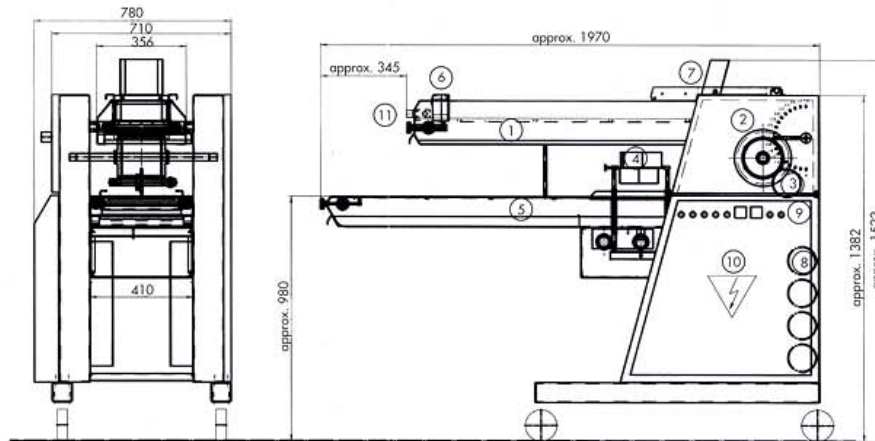
up to 3.000 pcs./h



up to 4.800 pcs./h



up to 7.200 pcs./h

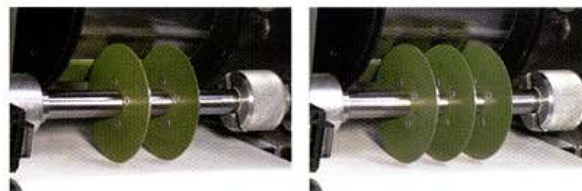


exchangeable stamping device



- 1 feeding belt
- 2 calibration rolling station
- 3 rotating cutter shaft
- 4 guillotine / stamping device
- 5 discharge belt
- 6 duster - feeding belt
- 7 duster - dough belt
- 8 holding device - rotating cutter shafts
- 9 control panel
- 10 switch cabinet
- 11 ON/OFF and EMERGENCY OFF buttons

weight approx. 440 kg
 electrical connection: 0,6 kW
 3x400 V 50 Hz, 3x230 V 50 Hz
 3x220 V 60 Hz, 1x230 V 50 Hz



quick change rotating cutter shaft

KOENIG
 TECHNOLOGY

KÖNIG-Maschinen Gesellschaft m.b.H
 A-8045 Graz-Andritz, Stattegger Straße 80
 Tel.: ++43/316/6901-0, Fax: ++43/316/6901-115
 Werk Backöfen: A-8051 Graz, Wiener Straße 186
 Tel.: ++43/316/6901-500, Fax: ++43/316/6901-525
 e-mail: info@koenig.co.at, www.koenig.co.at