

El Auténtico!

FOR MOULDING:

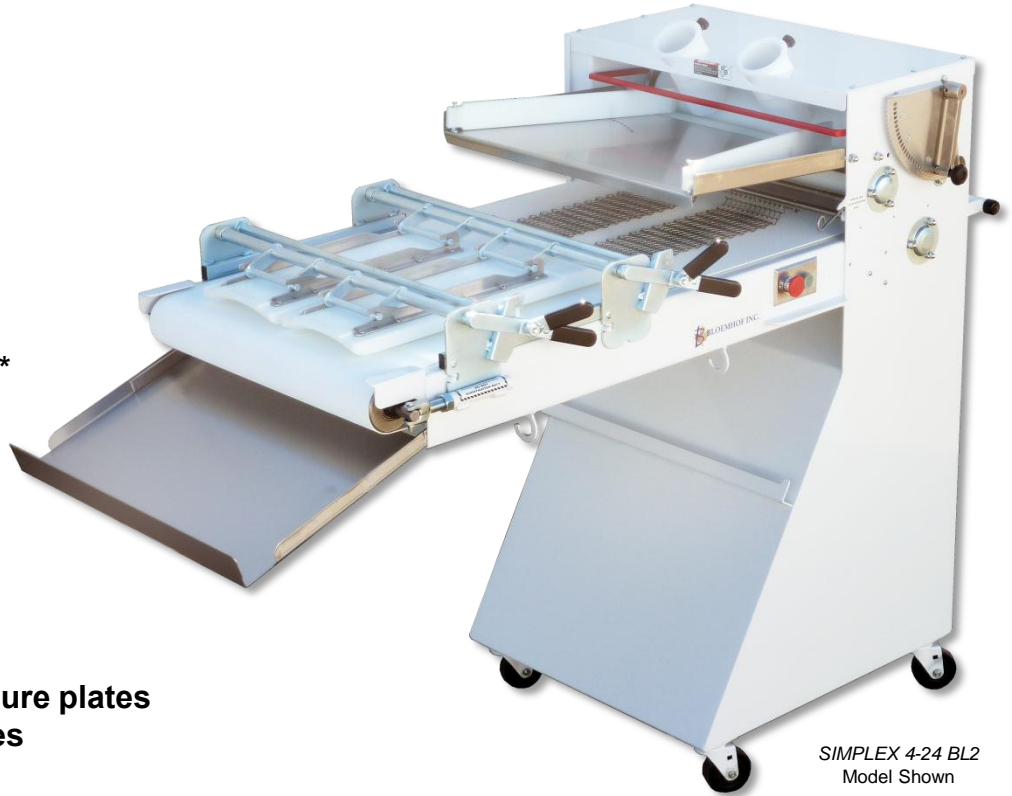
- ✓ Bolillos
 - ✓ Tapered rolls
 - ✓ French bread*
 - ✓ White, raisin & pan breads *
 - ✓ Subs, hoagies & hotdog rolls *
- * with optional accessories*

FOR SHEETING:

- ✓ Puff pastry & Danish dough
- ✓ Yeast raised dough

OUTSTANDING FEATURES:

- ✓ Two 6" or 7½" curved pressure plates
- ✓ Two telescoping infeed tubes
- ✓ Quick & easy adjustments
- ✓ Produce up to 7,200 Bolillos per hour
- ✓ Capacity from 1 oz. to 4 lbs.
- ✓ Easy to remove scraper assemblies
- ✓ Enclosed chain and sprocket drive
- ✓ Solid, heavy duty design



SIMPLEX 4-24 BL2
Model Shown



Qualifies for IRS Section 179 Tax Savings

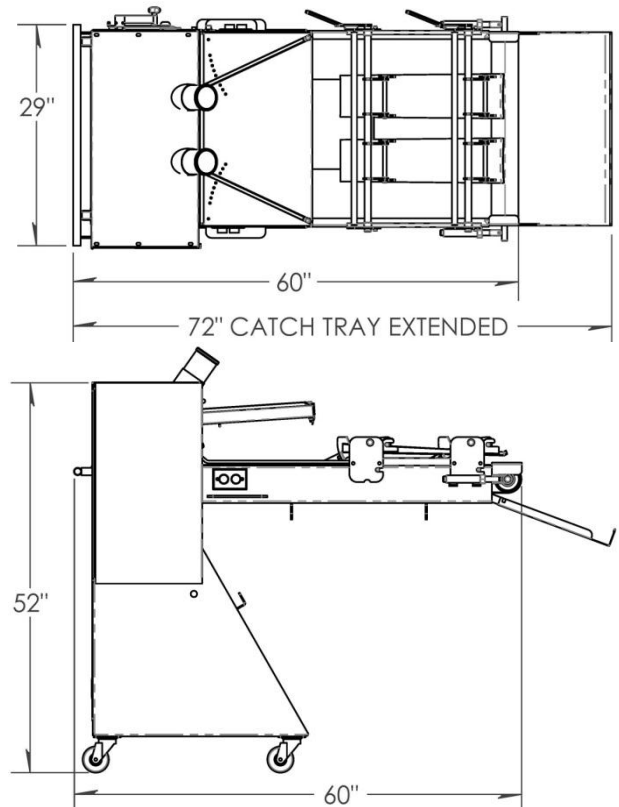
A new Bloemhof moulder can help you increase productivity and reduce labor cost, while maintaining the quality and consistency of your finished product



The famous Simplex 4-24 BL2 comes with two curved pressure plates for uniform bolillo or tapered roll production up to 7,200 pcs/hr. A favorite by busy Hispanic bakeries and supermarkets. You can use as a sheeter for pastry or make baguettes with optional pressure plates. This machine is fast, economical and reliable. Available in single and dual row models.

Several models with additional features are available. When you need to sheet and mould in a compact space and want a reliable machine with legendary performance, contact Bloemhof.

**DUAL ROW DESIGN
HEAVY DUTY CONSTRUCTION
REDUCE LABOUR COST & INCREASE
PRODUCTIVITY**



Simplex 4-24 BL2 Sheeter/Moulder Specifications

Rollers:	4" Diameter x 23" long synthetic rollers and scrapers, sealed heavy duty ball bearings
Motor:	3/4 HP, heavy duty motor, 1 Ph/115/230 V/ 60Hz. Heavy duty totally enclosed roller chain drive
Belt:	FDA approved polyester 24" wide
Safety System:	In-feed guard bar with automatic shut off
Pressure Plates	Two 6" or two 7½" curved pressure plates standard
Shipping Weight:	Approx. 765 lbs. Class 85
Machine Dimensions:	60" L x 32" W x 54" H, 72" long when catch tray is extended

OPTIONS

Variable speed	AC electronic variable frequency drive
Supply Voltage:	3/4 HP, 3 Ph/208-230V/60Hz (other voltages available)
Side Guides:	Available for length control when using flat pressure plates
Pressure plates:	Flat, 16", 18", 20", 22" X 28" long. Curved Plates: 6", 7½" wide <i>Other Plates are available upon request</i>

Specifications subject to change without notice

OTHER SIMPLEX MODELS

Simplex 4-24	Standard 2 roller model with 6", 9" and 12" flat pressure plates
Simplex 4-24-5	5 ft. long conveyor
Simplex 4-24 TRA	Top Roller Attachment for pies & pizza crusts
Simplex 4-24 BL1	Single infeed: 3,600 bolillos/hour capacity



Sold By:

Manufactured by:

Bloemhof Inc. 74 MacDonald St.
Kirkland, Quebec, Canada H9J 3Z7
1-514-505-3922 info@bloemhof.com

Bloemhof USA Inc. 1215 S. Swaner Rd.
Salt Lake City, Utah, USA 84104
1-801-428-2770 info@bloemhofusa.com