



Item No. _____
 Project _____
 Quantity _____

BakerSeries Roll-in Oven Racks [Double] Side-Load

MODEL: LRR-2D-26 Series



LRR-2D-26-20 Shown

Construction Features

- Heavy Duty Stainless Steel Construction
- 4" High Temperature, Non-metallic Swivel Casters
- Rulon Bearing inserts at wheel axles
- Electro-polished Annealed Finish
- For use in Double Rack Ovens Only
- Fits standard "B" Style Lift Systems
- Shipped K.D. for Reduced Freight Class

Performance Features

- Designed for Standard 18 x 26 Sheet Pans
- Fits Five-On Bread Strap Pans
- Utilizes Standard "B" Style Lift
- Casters Rated 600 Deg. F.
- Caster Capacity 500 Lbs. Each

PAN & PRODUCTION CAPACITY GUIDE

Capacity / Model	LRR-2D-26-10	LRR-2D-26-15	LRR-2D-26-20
18x26 Pans	20	30	40
Pies - 9"	60	90	NA
Bread - 1lb. Loaves	100	NA	NA
Cookies (Small)	33 Doz.	50 Doz.	67 Doz.

Short Bid Specification:

Oven Racks shall be a LBC Bakery Equipment, Inc. Model LRR-2D-26-____ [Insert:10,15 or 20] Double-side load oven racks. Oven Racks shall be constructed of 18 gage stainless steel, welded at each slide to the square tubular stainless steel frame and electro-polished to remove weld slag and discoloration. Casters shall be of hi-temperature design, able to withstand up to 600 degrees and shall include a non-metallic, composite wheel with a Rulon(R) type bearing insert. All fasteners shall be stainless steel. Oven racks shall be reinforced at the bottom frame to minimize rack sway when fully loaded. Racks shall be shipped KD and shall be assembled on site.

STANDARD PRODUCT WARRANTY

N/A

Sheet Number LRR-2D-RR1 (rev 06/06)



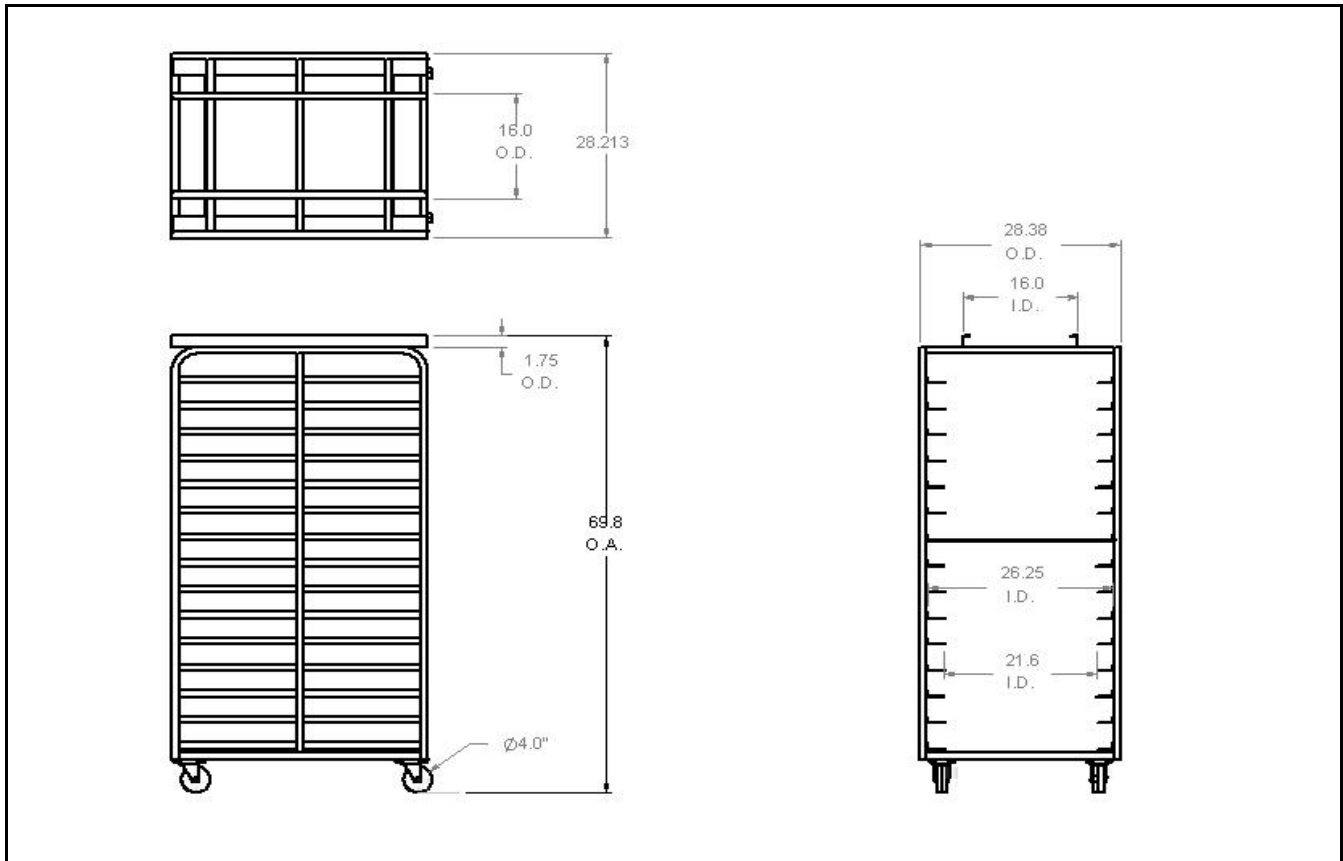
BakerSeries [Double] Roll-in Oven Racks MODEL: LRR-2D-26 Series

INSTALLATION REQUIREMENT

Racks Shipped K.D. for Field Assembly.
 Caster Swivel Bearings require periodic lubrication with #2 food-grade grease
 Rack spacing must allow 1-1/2" minimum spacing above finished food product

OPTIONS & ACCESSORIES

Factory Assembly
 Welded fasteners for Correctional Use



Model	Capacity	Spacing	Weight	Depth x Width x Height
LRR-2D-26-10	20 - Full Size Sheet Pan	6"	120	36 x 28-3/8 - 70
LRR-2D-26-15	30 - Full Size Sheet Pan	4"	136	
LRR-2D-26-20	40 - Full Size Sheet Pan	3"	157	

Note: All racks shipped KD unless otherwise stated.

Sheet No. LRR-2D26 (Rev 06/06)