

**Single Rack Oven - Gas**

**Model: LRO-1G5**



**Model LRO-1G5 Shown**  
(Rack not included)

Maximum Capacities per Oven:	
18" x 26" full-size Sheet Pans †	20
12" x 20" x 4" Hotel Pans #	13
1 lb loaves of bread	100
1-1/2 lb loaves of bread	75

† Based on 3" spacing # Based on 6" Spacing

**Short Bid Specification:**

Rack oven shall be an **LBC Bakery Equipment Model LRO-1G5** 175 kBtu/hr gas heated, rotating, single rack capacity oven with linear counterflow heat exchanger, waterfall type steam generation system and 5" thick compartment insulation. Oven is rated at 0" combustible wall clearance from sides and back. Oven shall also have heavy-duty rack lift with gear driven rotation system, standard digital display control or optional Android control, an integrated hood meeting NFPA 96 and Type I & II construction standards, plus all the features listed.

**Standard Product Warranty:**

1 Year Parts and Labor (Contiguous US, Alaska, Hawaii and Canada)

**Construction Features:**

- Heavy-duty stainless steel interior and exterior
- Cooking compartment insulated with 5" high-temp insulation
- Automatic, heavy-duty "B" style lift and gear-driven rotation system
- Heavy-duty door with 16" x 57.5" double-pane viewing window
- Interior door safety release mechanism
- Oven accommodates one single rack

**Performance Features:**

- 100-525 deg F temperature range
- Patent pending linear counterflow heat exchanger
- Burner manifold uses inshot burners with hot surface ignitor
- High volume, waterfall steam system
- Three-point air circulation system with adjustable shutters
- Self adjusting clutch protects operator and prevents oven damage
- Rack drive automatically stops, lifts and lowers with door operation
- Racks load at floor level (no ramp)

**Integrated Hood Features and Performance:**

- Meets the construction requirements of NFPA 96 & UMC for Type I & II Hoods (fire system, if required, by others)
- Fully integrated hood with single point exhaust connection
- 20 ga fully welded stainless steel body construction
- 8" round collar, 1525 fpm @ 530 cfm, 1.0 inwc (roof vent not included)
- 4.5 sqft hood capture area. Filter velocity = 120 fpm @ 0.3 inwc and 530 cfm.

**Controls Features:**

- **Digital Display Control (Standard):**
  - 40 programmable recipes with 6 Quick Select buttons
  - Single-step cooking (standard) or optional 6-step cooking with programmable features
  - Steam, Vent, Blower Delay and Pulse Air
  - Selectable Automatic Temperature Setback
- **Android Control (Optional):**
  - 7" full-color graphic display and touch screen
  - Full feature recipe programming or manual operation
  - Wi-Fi interface
  - Built-in camera
  - Supervisory Features:
    - > Large storage library for recipes with up to 6 recipes
    - > Product name, number and photo gallery
    - > Easy-select recipe list with photos
    - > Recipe day planner
    - > Bi-directional email access to recipes and day planner



Meets ANSI Z83.11 and NSF 4 Standards

Sheet Number LRO-1G5 (Rev C - 6/16)

**Single Rack Oven - Gas**

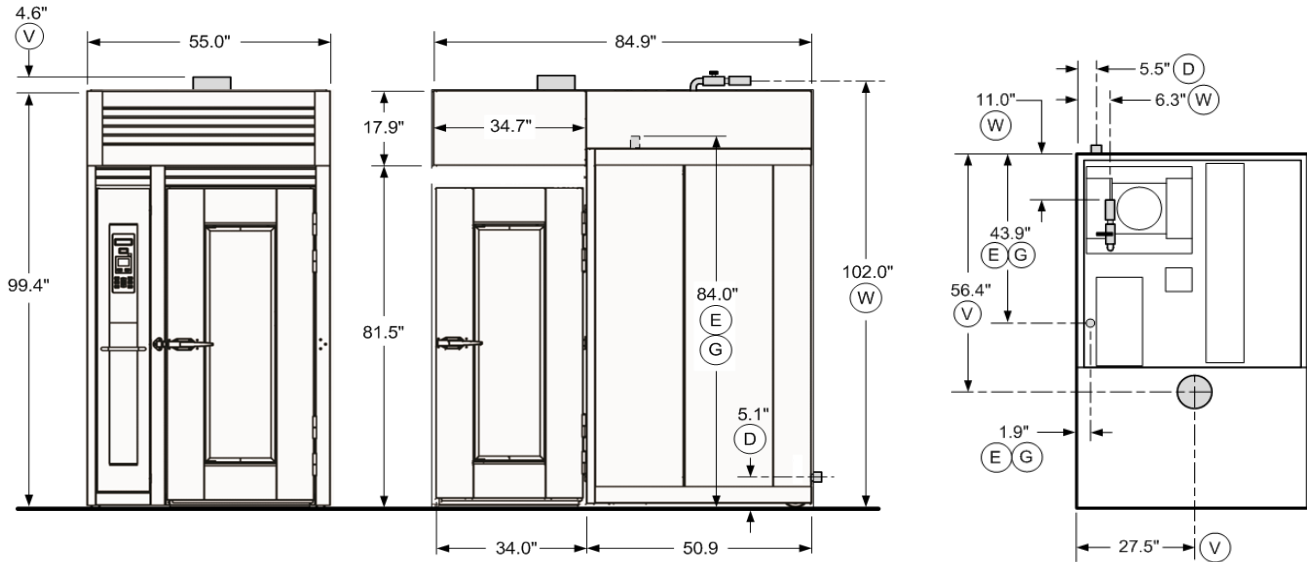
**Model: LRO-1G5**

**Installation Requirements:**

- Oven ships in one piece but may be split into two halves for movement through 36" opening.
- 112" ceiling clearance required for tip-up
- No buried utilities
- Floor must be noncombustible supported by noncombustible structure
- Clearance from combustible surfaces: 0", sides and back

**Options & Accessories:**

- |                                   |  |   |
|-----------------------------------|--|---|
| <input type="checkbox"/> LP Gas   | <input type="checkbox"/> 120V,3ph / 240V,3ph,60hz Electrical | <input type="checkbox"/> Oven Racks           |
| <input type="checkbox"/> "A" Lift | <input type="checkbox"/> 120V,1ph / 480V,3ph,60Hz Electrical | <input type="checkbox"/> Correctional Package |
| <input type="checkbox"/> "C" Lift | <input type="checkbox"/> Manual Backup Control               |   |



(E) Electrical Requirements:					Utility Requirements:			
Elec Choices	Voltage	Total kW	MCA	MOP	(G) Gas	(V) Vent	(W) Water	(D) Drain
Standard	120V,3ph / 208V,3ph,60Hz	1.8	15	20	1" NPT, 175 kBTU/hr, 5-14 inwc	8" dia collar (vent not included) †	1/2"NPT, 9 gpm flow @ 40 psi	3/4" NPT, 210 deg F, 1 gpm max
Option	120V,3ph / 240V,3ph,60Hz	1.8	15	20				
Option	120V,1ph / 480V,3ph,60Hz	1.5 / 1.8	15 / 15	20 / 20				

**IMPORTANT:** Ensure your water supply meets these minimum water quality specs:

Water Quality Requirements:			
Parameter	Value	Parameter	Value
Alkalinity	< 22 ppm	Magnesium	< .65 ppm
Aluminum	< 17 ppb	pH	8.5
Calcium	< 3 ppm	Sodium	< 8.5 ppm
Free Chlorine Residual	< 0.6 ppm	Total Hardness	< 11.9 ppm

Shipping Information:			
Crate H x W x D	Weight		Freight Class
	Actual	Shipping	
114"H x 60"W x 65"D	2500 lbs	2900 lbs	70

† Consult your local codes for installation requirements