

## FRONT-LOAD SLICER

Model 732N

### Key Features:

- Perfect for on-demand slicing of hard-crusted breads and soft-textured sandwich loaves.
- Compact front-load and unload design saves time and counter space.
- Easy-to-operate, with convenient, front-mounted push button controls.
- Front-mounted bagging scoop that adjusts for smaller loaves makes for convenient packaging.
- Uses the lowest cost replacement blades in the industry, contributing to low cost of ownership.
- Easily replaceable, independently mounted blades that are rust and corrosion resistant.
- Smooth, quiet operation with minimal vibration





# FRONT-LOAD SLICER

Model 732N

## Slicer Specifications:

### Motor:

1/2 H.P., single phase, 60Hz, 115 VAC, 7 AMPS;  
230 VAC, 3.5 AMPS  
Special electrics also available.

### Capacities:

16" (406 mm) long X 5 1/2" (140 mm) wide X 5  
1/2" (140 mm) high  
(Lower and wider products may also be sliced if care  
is exercised when loading product.)

### Finish:

Stainless steel construction inside and out.

### Slice Spacing:

Standard: 3/8" (10 mm), 7/16" (11 mm),  
1/2" (13 mm).  
Also available at extra cost: 9/16" (14 mm),  
5/8" (16 mm), 3/4" (19 mm), 7/8" (22 mm),  
or 1" (25 mm).

### Dimensions (see drawings at right):

Shipping weight: 300 lbs. (135 kg)

Net Weight: 250 lbs. (114 kg)

Manufactured under one or more of the following:

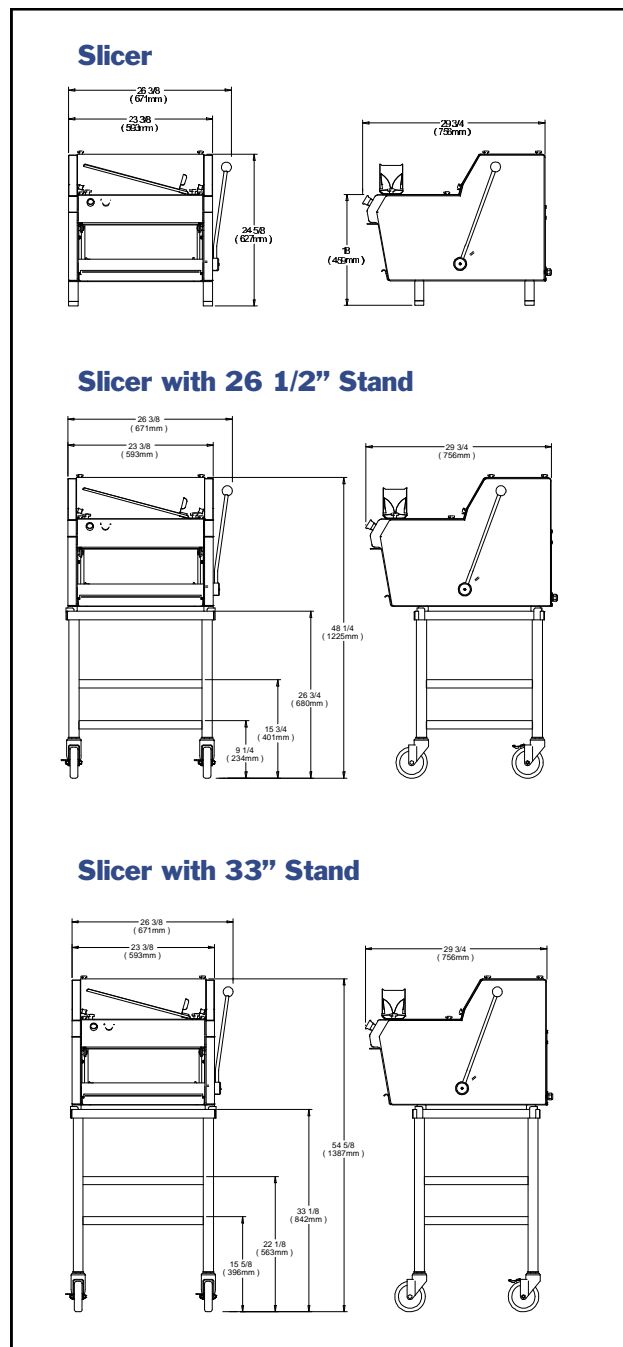
U.S. Patent # 4,856,398  
U.S. Patent # 4,759,168  
U.S. Patent # Des. 310,933  
U.S. Patent # 5,243,921  
U.S. Patent # 5,461,956  
U.S. Patent # 4,662,257  
U.S. Patent # 4,296,589  
U.S. Patent # 4,196,561  
U.S. Patent # 4,194,341  
U.S. Patent # 4,141,196  
U.S. Patent # 6,123,004

Other U.S. and foreign patents pending.

Above specifications subject to change without notice.

The information contained herein is correct to the best of our knowledge. The recommendations or suggestions are made without guarantee or representation as to results. Freedom from any patent owned by Oliver Products Company or other is not to be inferred.

Printed in U.S.A. © Trademark of Oliver Products Company



Oliver® Products Company :: 445 Sixth Street N.W. :: Grand Rapids, MI 49504-5298

Phone: 616/456-7711 :: Toll-Free: 1/800/253-3893 :: Fax: 616/456-7791

Web: www.oliverproducts.com/bakery :: Email: bakerysales@oliverproducts.com